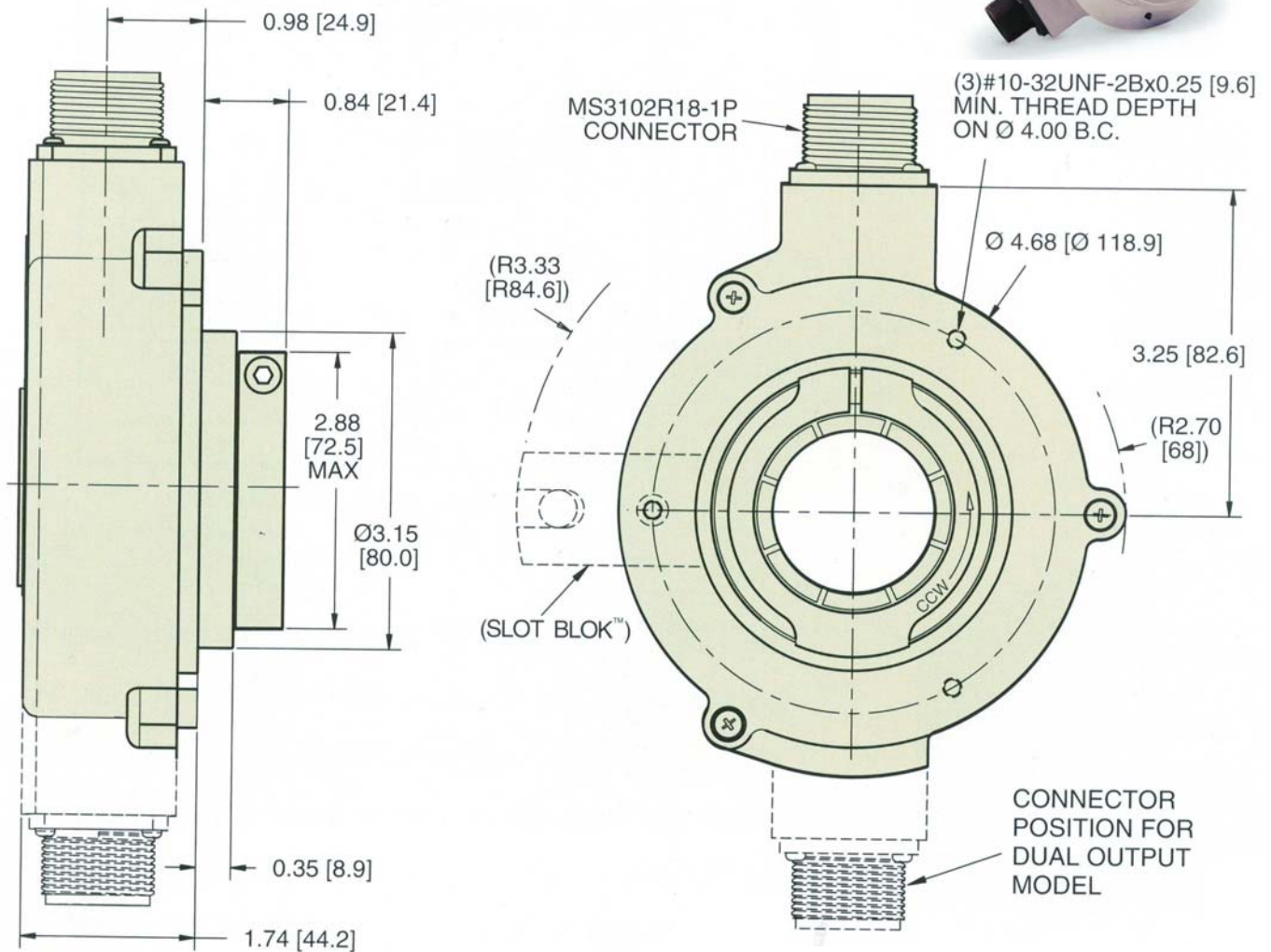


INCREMENTAL ENCODER, SERIE HS45

The HS45 is a large bore, heavy duty, rugged encoder designed to operate in very demanding environments. It is available in both single and dual output versions as shown above. These encoders use a preloaded bearing set for mechanical stability and a long service life. The dual output version has redundant electronics internal to the encoder simplifying signal distribution to multiple controllers.

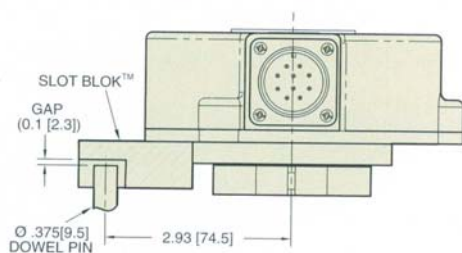


MS Connector Termination

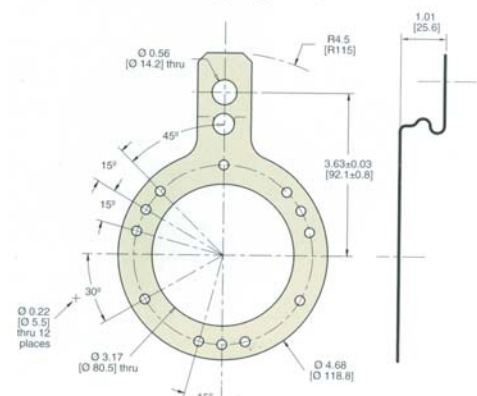


TOLERANCES: .XX = ±0.01, .XXX = ±0.005

R1 Tether Block and Pin



**R2 Tether Arm
(Fits Ø 7.25 [184] B.C.)**



INCREMENTAL ENCODER, SERIE HS45

SPECIFICATIONS

<p>Shaft bore: 1.750'' max, ± 0.030(with R2), ± 0.050 (with R1) axial</p> <p>Allowable Misalignment: 0.005 T.I.R. , Radial</p> <p>Bore Runout : 0.002'' T.I.R.</p> <p>Running Torque at 25°C : Dual seals (SS) = 30 in-oz (max) ; Single seal (BS) = 18 in-oz (max)</p> <p>Bearings: 52 100 dual preload bearings</p> <p>Shaft Material: Stainless Steel</p> <p>Bearing Housing: Die cast aluminium with iridite finish</p> <p>Cover: Die cast aluminium with iridite finish</p> <p>Bearing life: 5.10¹² revs at rated load</p> <p>Maximum RPM: 5,000 RPM (see Frequency Response)</p> <p>Moment of inertia: 0.063 oz-in-sec² max</p> <p>Weight: Approximately 2.3lbs single output, 2.6lbs dual</p> <p>Code: incremental</p> <p>Cycles per Shaft Turn: 1024, 8192</p> <p>Supply Voltage: 5-28Vdc (±5%)</p>	<p>Output Format: Incremental output format, 2 channels With complements, in quadrature, ½ cycle index gated With negativ B channel</p> <p>Current requirements: 100mA (typical) per side + output Load, 250mA (max)</p> <p>Output Device: 7272: Line Driver, 5-28Vdc, Vout = Vin</p> <p>Protection level: Reverse, overvoltage and output short-circuit</p> <p>Frequency Response: 150kHz</p> <p>Output termination: see table 1</p>
	<p>Enclosur rating: IP65 (NEMA 4&13)</p> <p>Temperature: Operating 0° to 70°C standard, -40° to 85°C optional, storage -40°C to 90°C</p> <p>Shock: 50g's for 11ms</p> <p>Vibrations: 20g's 10- 2000Hz</p> <p>Humidity: 98% non condensing</p>

OUTPUT FUNCTION – TABLE 1

PIN N°	A	B	C	D	E	F	G	H	I	J
FUNCTION	A	B	Z	+ V (Supply)	NC	OV circuit ground	Case ground	A/	B/	Z/

ORDERING REFERENCE

Type	Housing	Bore size	Tether	Shaft	PPR	Channels	Output	Termination	Connector
HS45 Hollow Shaft 2'' diameter	F standard	175 =1.750''	Blank = none R1 = tether block R2 = tether arm	SS = Through BS = Blind	1000	ABZC	7272 = 28Vdc Vout=Vin Line driver	S = side termination DS = dual side termination	M18 = 10pin connection
		162 =1.625''			1024				
		150 =1.50''			8192				
		Bores<175 are insulated							
Ex: HS45	F	175	R2	SS	8192	ABZC	7272	S	M18

CERTIFICATIONS

The Model H40 Encoder is available with the following certifications:

